

Accessories

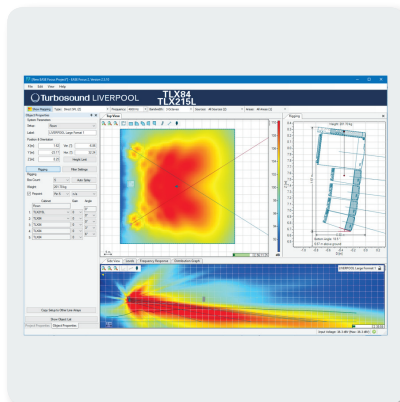
LIVERPOOL TLX84-FLB

Fly Bar for TLX84 and TLX215L Suspended Arrays



- Custom designed fly bar for suspending TLX84 line array elements and TLX215L subwoofers in unique or mixed arrays
- Suspend up to 8 TLX84 or 3 TLX215L with a 10:1 safety factor
- Powder coated steel construction
- Drop links and rigging pins included
- Multiple pick points for up to 3/4" shackles for single- or two-point suspension
- 10-Year Warranty Program*
- Designed and engineered in the U.K.

The TLX84-FLB Flybar is designed to safely suspend unique or mixed arrays of TLX84 line array elements and TLX215L subwoofers. Engineered to meet BGV-C1 specifications, the flybar can suspend up to 8 TLX84 elements or 3 TLX215L Subwoofers in unique arrays, or 1 TLX215L subwoofer and 6 TLX84 elements in a mixed array with a safety factor of 10:1. The flybar is secured to the uppermost speaker enclosure using the supplied drop links and fly pins, with additional enclosures attaching in a similar manner below in succession. For mixed arrays, the TLX215L features a bottom panel drop down link for convenient attachment to the top TLX84 enclosure.



EASE GLL files are provided for EASE Focus Acoustic Simulation Software, which is available for free download. This allows accurate calculation of both acoustic coverage and suspension pick point selection for tilting and aiming the array at the desired angle. Multiple pick points are provided for shackles up to 3/4" in size, which can be utilised either in single point or two point suspension configurations.

Accessories

LIVERPOOL TLX84-FLB

Fly Bar for TLX84 and TLX215L Suspended Arrays

You Are Covered

We always strive to provide the best possible Customer Experience. Our products are made in our own [MUSIC Tribe](#) factory using state-of-the-art automation, enhanced production workflows and quality assurance labs with the most sophisticated test equipment available in the world. As a result, we have one of the lowest product failure rates in the industry, and we confidently back it up with a generous [Warranty program](#).



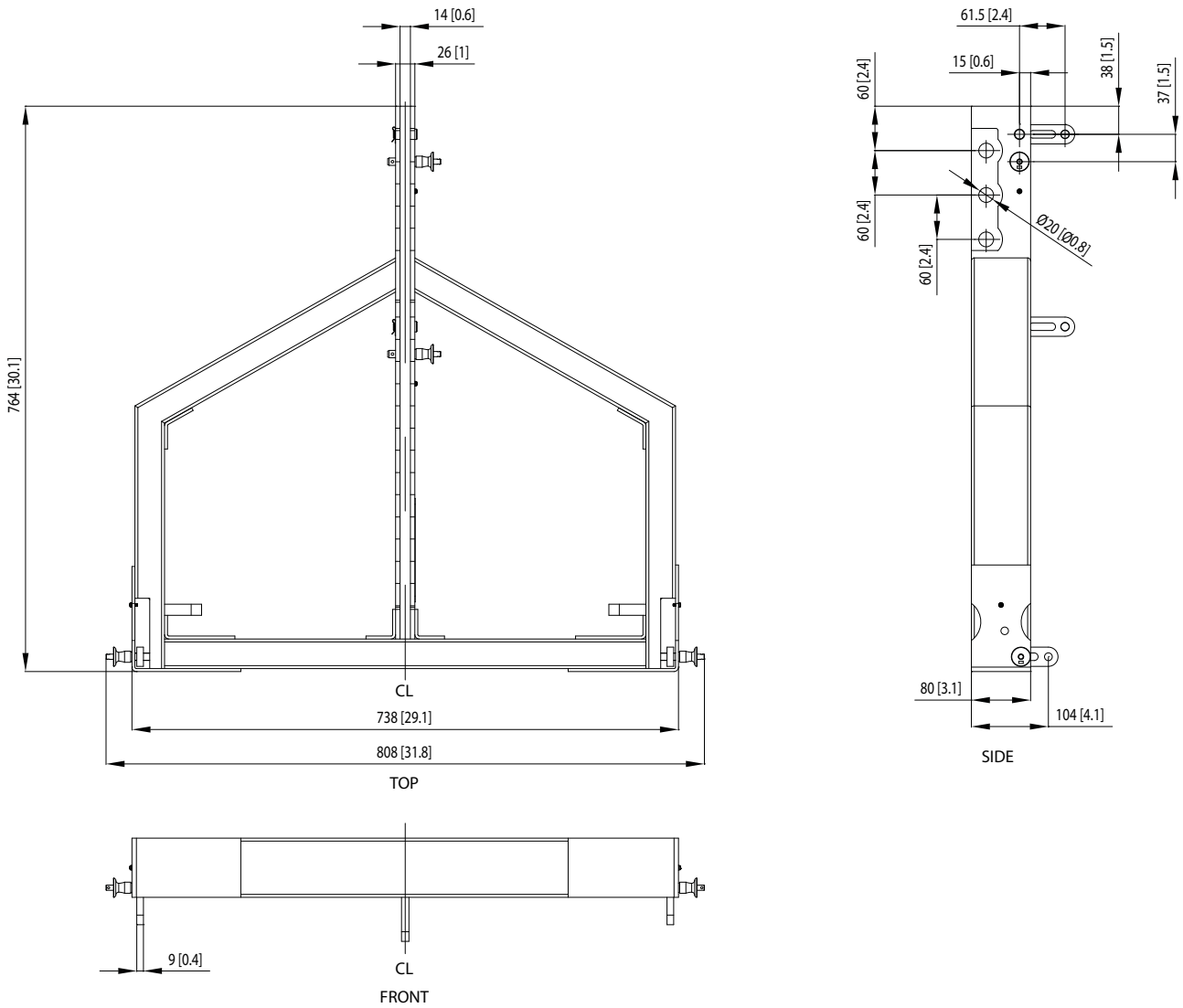
Accessories

LIVERPOOL

TLX84-FLB

Fly Bar for TLX84 and TLX215L Suspended Arrays

Dimensions



Accessories

LIVERPOOL

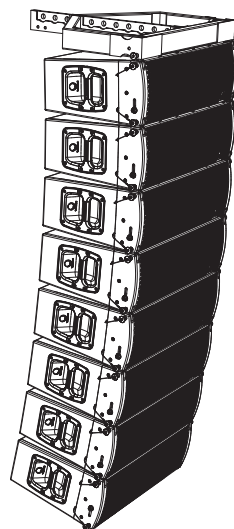
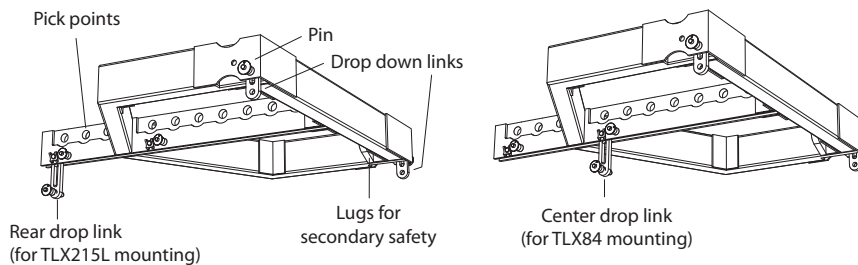
TLX84-FLB

Fly Bar for TLX84 and TLX215L Suspended Arrays

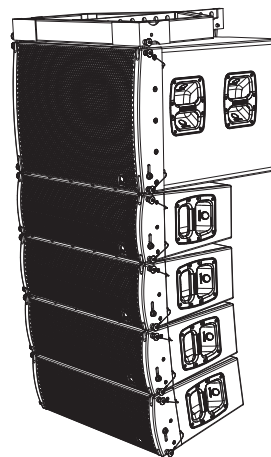
Mounting and Rigging

⚠ Safety Warning: Only authorised and certified personnel shall design and install suspended or ground stack configurations, following the instructions and procedures in the TLX84-FLB rigging manual supplied with the TLX84-FLB flybar, or downloaded from turbosound.com. Failure to follow these instructions may lead to death or permanent injury. For maximum array sizes, weights and working load limits, please consult the TLX84-FLB rigging manual.

The TLX84-FLB flybar is used to suspend TLX84 cabinets and TLX215L subwoofers. It has drop down links that connect to corresponding slots and rear mounting holes of the TLX84 cabinets and TLX215L subwoofers. The main arm of the flybar has nine 20 mm diameter pick points. Two integral mounting lugs are provided to secure secondary safeties.



An array of 8 TLX84 cabinets attached to a TLX84-FLB flybar



Mixed array with a TLX84-FLB flybar, TLX215L subwoofer, and 4 TLX84 cabinets

Accessories

LIVERPOOL TLX84-FLB

Fly Bar for TLX84 and TLX215L Suspended Arrays



TLX84-FLB : TLX84 Suspension Mode

Accessories

LIVERPOOL TLX84-FLB

Fly Bar for TLX84 and TLX215L Suspended Arrays



TLX84-FLB : TLX215L Suspension Mode

Accessories

LIVERPOOL TLX84-FLB

Fly Bar for TLX84 and TLX215L Suspended Arrays



For service, support or more information contact the TURBOSOUND location nearest you:

Europe
MUSIC Tribe Brands UK Ltd.
Tel: +44156 273 2290
Email: CARECrea@music-group.com
CAREnte@music-group.com
CARELife@music-group.com

USA/Canada
MUSIC Tribe Commercial NV Inc.
Tel: +1 702.800 8290
Email: CARECrea@music-group.com
CAREnte@music-group.com
CARELife@music-group.com

Japan
MUSIC Tribe Services JP K.K.
Tel: +81 3 6231 0453
Email: CARECrea@music-group.com
CAREnte@music-group.com
CARELife@music-group.com

MUSIC Tribe accepts no liability for any loss which may be suffered by any person who relies either wholly or in part upon any description, photograph, or statement contained herein. Technical specifications, appearances and other information are subject to change without notice. All trademarks are the property of their respective owners. MIDAS, KLARK TEKNIK, LAB GRUPPEN, LAKE, TANNØY, TURBOSOUND, TC ELECTRONIC, TC HELICON, BEHRINGER, BUGERA and COOLAUDIO are trademarks or registered trademarks of MUSIC Group IP Ltd. © MUSIC Group IP Ltd. 2018 All rights reserved.